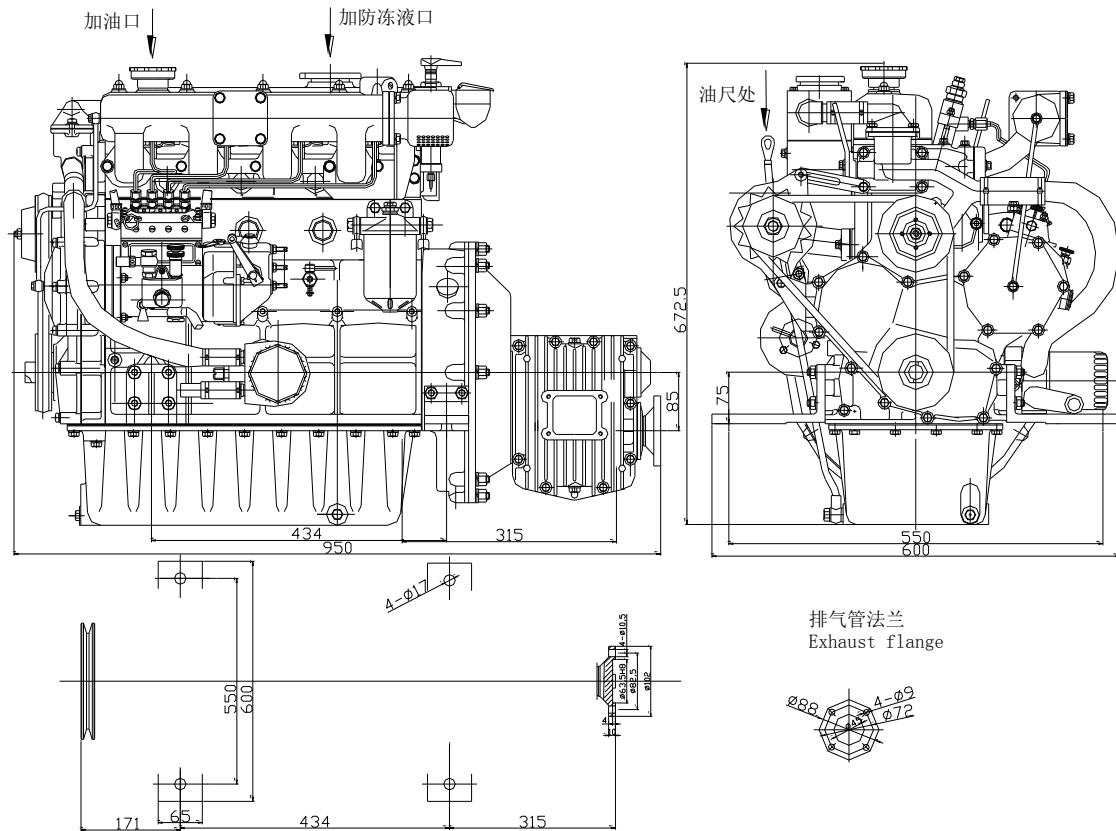


## 外形尺寸图 (Overall Dimension) :



## 主要技术参数 (Main Technical Data):

型号 Model	N485C	
型式 Type	四缸、直立、四冲程、水冷直喷式、自然吸气 four cylinder, in-line, vertical, four stroke, water cooling, direct injecting, nature inspiration	
缸径 X 冲程 Cylinder bore X stroke (mm)	85X95	
活塞总排量 Total piston displacement (L)	2.156	
压缩比 Compression ratio	18:1	
标定功率/转速 Rated power/speed (KW/r/min)	30/2800	30/3000
最大功率/转速 Max. power/speed (KW/r/min)	33/2884	33/3096
起动方式 Starting method	电起动 (选配弹性起动、手摇或液压起动) Electric (Option spring starting, Manual starting or Hydraulic motor starting)	
输出旋向 (面对飞轮) Direction of rotation (From flywheel)	顺时针 Clockwise	